

INSTRUCTIONS AND REPAIR PARTS LIST

UA4T FOUR-BULB BROODER



WARNING



Do not defeat electrical ground afforded by 3-prong power cord assembly (Ref. No. 1). Model UA4T should only be repaired by a qualified electrician. Use external tooth washer and use fiberglass sleeves as shown in Exhibit A (Ref. Nos. 4 and 17) and in Exhibit B.

INSTALLATION INSTRUCTIONS

Check parts received against the following list. If any parts are damaged or defective, notify us and we will give the matter our immediate attention.

- 1 - Fixture
- 2 - Guard Assemblies
- 1 - Hardware Bag

Install 10276 Guard Assembly (Ref. No. 12) using 5 6-32 x 3/8 screws and 5 6-32 nuts (Ref. Nos. 13 and 14). See Exhibit A.

Attach rope, wire or chain to hanger on brooder and hang from ceiling. Insert Infra-red Bulbs (not included) in brooder. Order Brower Model RLB (red) or Brower Model CLB (clear), both 250 watt Infra-red bulbs. Plug cord into 110 volt AC receptacle and brooder is ready for operation. Allow approximately 75 to 100 chicks per bulb.

OPERATING INSTRUCTIONS

The UA4T has one or four bulb heating. One bulb always stays on and the other three are lit as required. This saves energy. Height of brooder from floor can be adjusted depending upon age of chicks, brooder house and weather conditions.

CHICKS. Hang brooder 18 to 24 inches above floor. Brooder can be used from the time chicks are hatched up until they become five to six weeks old. Place chick guard around chicks for first two or three weeks to keep them from getting too far away from heated area and to reduce drafts.

PIGS. Hang brooder 24 to 36 inches above floor. Brooder can be used immediately after pigs are born and through suckling period. Helps reduce losses.

LAMBS. Hang brooder 42 to 54 inches above floor. Brooder helps keep new born lambs dry and warm, which gives them a healthy start.

NOTE: The best way to determine proper height is to watch the reaction of the brood--do not use thermometer. The chicks, pigs or lambs should be comfortable. When chicks move in and out of the heated area for feeding, exercising and sleeping, they are comfortable. Most chicks that die are likely to be found in the heated area, since unhealthy chicks do require additional heat and will naturally seek the warmest spot available.

MODEL NUMBER

The MODEL NUMBER is: UA4T Four Bulb Brooder

WHEN ORDERING PARTS

- (1) Show MODEL NUMBER AND NAME: Example - UA4T Four Bulb Brooder.
- (2) Show PART NUMBER and FULL DESCRIPTION of part: Example - 17429 Power Cord Assembly

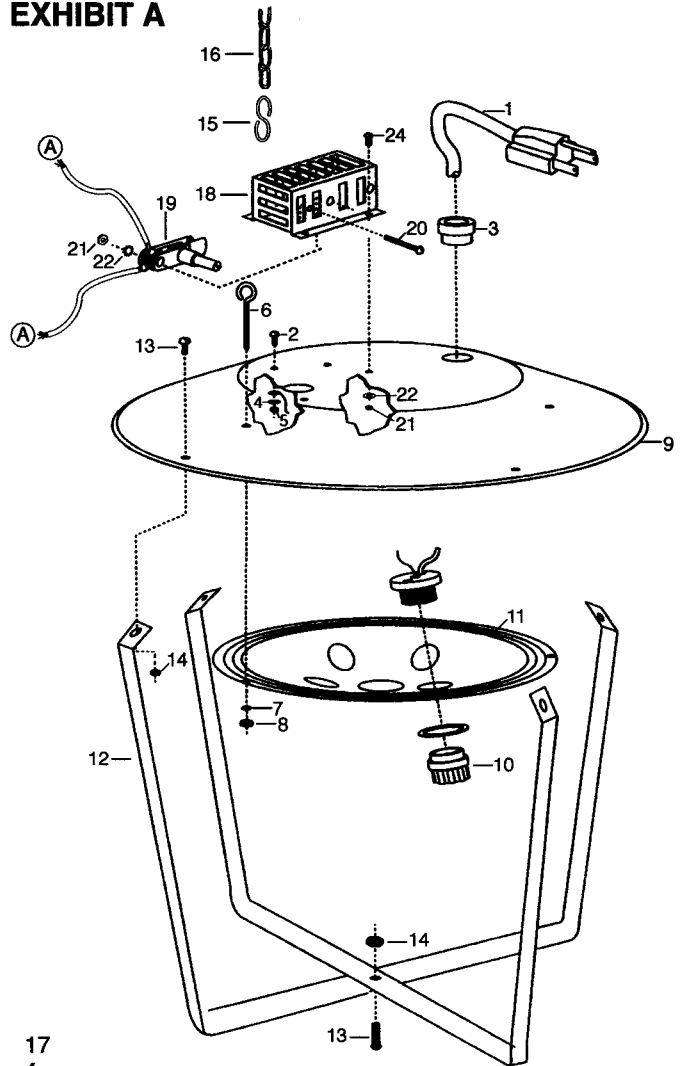
HOW TO ORDER PARTS

Repair parts may be ordered from your dealer.

REPAIR PARTS LIST

REF. NO.	PART NO.	DESCRIPTION	QUANTITY
1	17429	Power Cord Assembly 16-3, 5'6"	1
2	OF2	6-32 x 3/8 Slotted Round Head Machine Screw, Zinc	1
3	45020	1240 Black Heyco Bushing	1
4	OF209	#6 External Tooth Lockwasher, SS	1
5	OF52	6-32 Hex Machine Screw Nut, Zinc	1
6	OF46	6-32 x 3/4 Eye Bolt, 1/4" ID Eye, Less nut, Zinc	3
7	OF209	#6 External Tooth Lockwasher, SS	3
8	OF52	6-32 Hex Machine Screw Nut, Zinc	3
9	10349	Outer Reflector	1
10	45166	Eagle 609 Sign Receptacle	4
11	10278	Inner Reflector	1
12	10276	Guard	2
13	OF2	6-32 x 3/8 Slotted Round Head Machine Screw, Zinc	5
14	OF52	6-32 Hex Machine Screw Nut	5
15	43814	1/4" Open x 11 Ga Hook, Zinc	4
16	31515	#3 Tenso Chain x 12-3/16"	3
17	747611	5/16 x 1 Fiberglass Sleeve	3
18	10430	Thermostat Cover, 2 x 3 1/2 x 1 (For I.D. purposes: Cover has 3 holes on one side; there are no holes on the end)	1
19	AT10	Adjustable Thermostat, 120/240V (Includes 2 89-45 202 amp clips and 2-6 inch 85-1132 wire pig tails)	1
20	OF212	6-32 x 1 Machine Screw, Zinc	1
21	OF52	6-32 Hex Nut, Zinc	5
22	OF209	#6 External Tooth Lockwasher	5
23	45047	#35653 Nylon Connector (not shown)	2
24	OF2	6-32 x 3/8 Machine Screw, Zinc	4
25	OM141	Cooler/Warmer Decal	
	ISBUA4T	Instruction Sheet	

EXHIBIT A



UA4T WIRING DIAGRAM

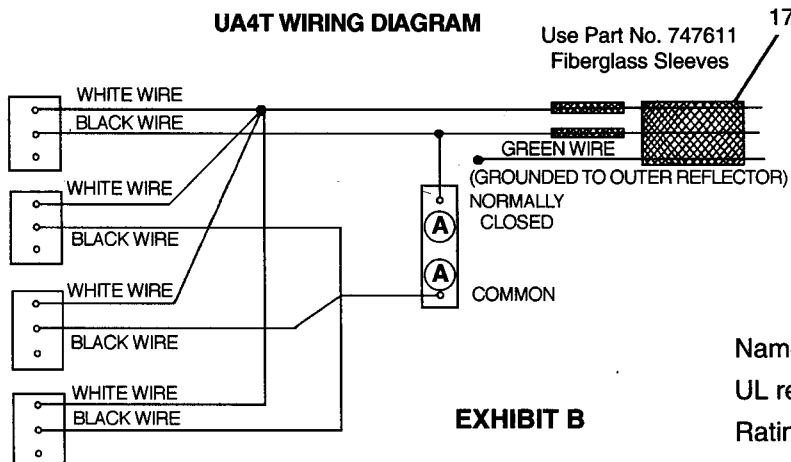


EXHIBIT B

NOTES ABOUT AT10 THERMOSTAT

Name: AT10 Adjustable Thermostat

UL recognized and CSA Approved (CSA - 120 V A.C. only)

Ratings: 120V A.C. 16.7 amperes/240V A.C. 8.3 amperes

Description: HT open on rise. Controls heating applications by keeping contacts closed below the set point temperature.

Temperature Range: 70 degrees to 120 degrees F (21 degrees C to 49 degrees C). The adjustment turns 180 degrees. Three degrees of turn is approximately equal to one degree F of temperature change. We suggest you find the 180 degree range and set the switch at about the halfway point. Then adjust as necessary to find the appropriate brooding or incubation temperature. Turning the slotted adjustment knob to the right (clockwise) increases temperature.