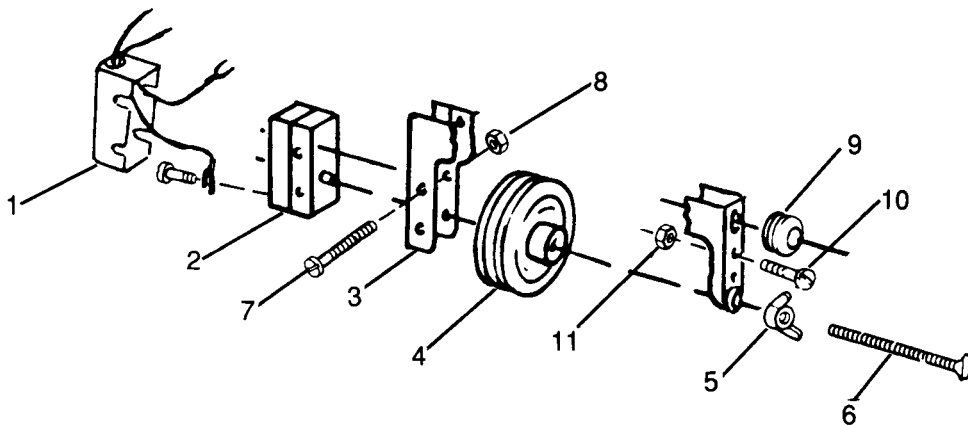


59S ELECTRICAL SNAP ACTION THERMOSTAT SWITCH

Ref. No.	Part No.	Description	Quantity
1	45117	5PA2 Terminal Enclosure	1
2	45189	WA-2R-A21 Microswitch	1
3	10688	Switch Bracket	1
4	1WB	Wafer Control	1
5	OF382	10 - 32 Cold Forged Wing Nut, Zinc	1
6	OF383	10 - 32 x 2 Type "P" Thumb Screw, Zinc	1
7	OF368	6 - 32 x 1/4 Slotted Round Head Machine Screw, Zinc	2
8	OF52	6 - 32 Hex Machine Screw Nut, Zinc	2
9	45014	Heyco Black Bushing	1

The following fasteners are included to attach 59S to most any sheet metal surface.

10	OF27	10-24 x 1 Slotted Truss Head Machine Screw, Zinc	2
11	OF53	10-24 Hex Machine Screw Nut, Zinc	2

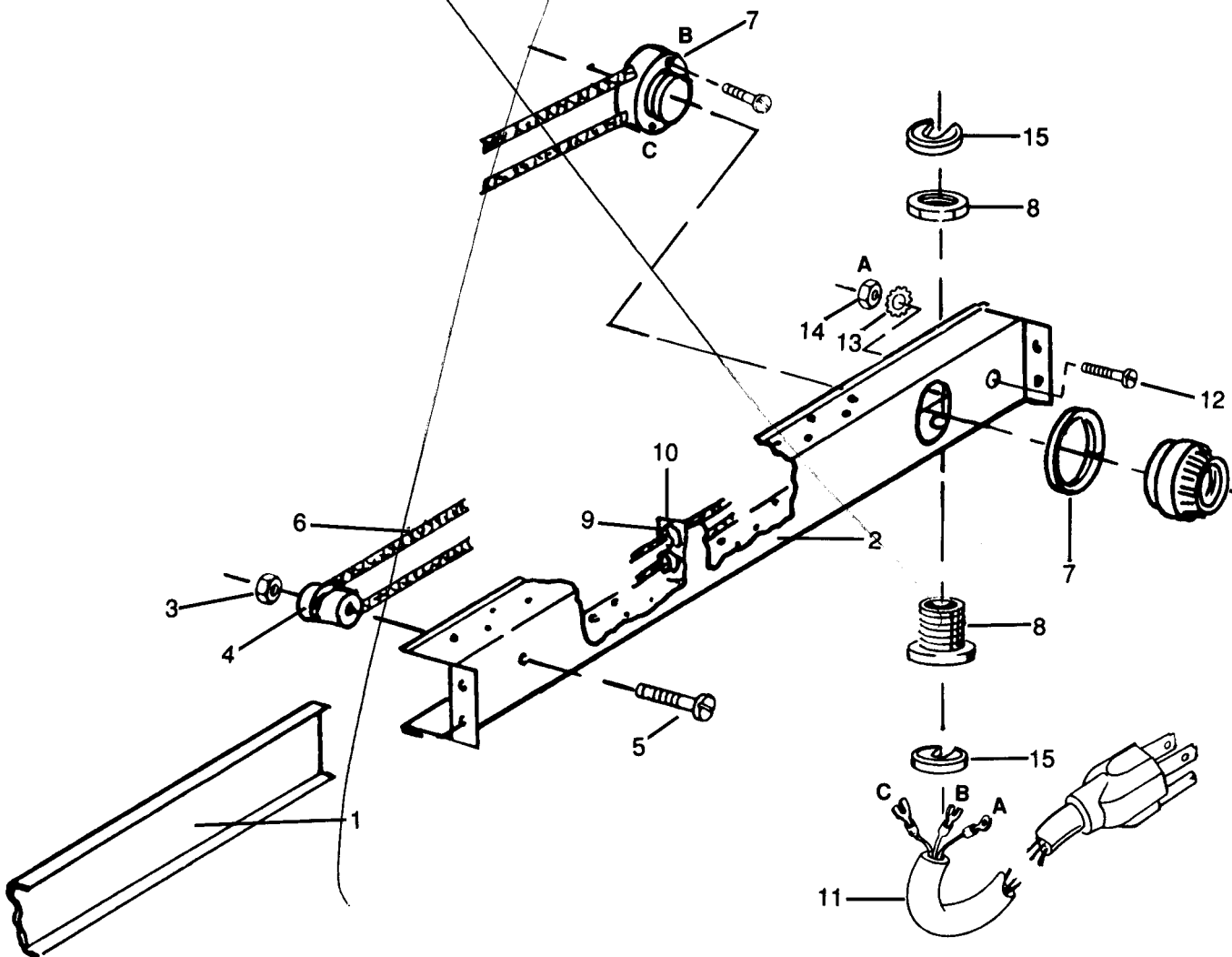


59S THERMOSTATIC SWITCH SPECIFICATIONS

Model No.	Description	Overall Size Inches (cm)	Shipping Weight
59S	Electric Snap Action Thermostat Switch with 1WB Wafer	2 1/2 (6.35) x 3 (7.6)	9 oz. (257 grams)
59S2	Electric Snap Action Thermostat Switch with 2W Wafer	2 1/2 (6.35) x 3 (7.6)	9 oz. (257 grams)

5003S AIR-FLO HEATING UNIT

Ref. No.	Part No.	Description	Quantity
1	1281	Bar Heater Cover	1
2	1280	Heater Body	1
3	OF53	10 - 24 Hex Machine Screw Nut, Zinc	1
4	43915	#6 Solid Porcelain Knob	1
5	OF41	10-24 x 1 1/4 Slotted Truss Head Machine Screw, Zinc	1
6	45099	Heating Element, 160 Watt	1
7	45168	Eagle 610 Sign Receptacle	1
8	45016	PB-2 Porcelain Bushing with Lock Nut	1
9	45018	CS1024 Ceramic Bushing	2
10	116A	1-piece Bushing Holder	2
11	17464	Power Cord Assembly 18/3 SJ 5 1/2 ft.	1
12	OF368	6-32 x 1/4 Slotted Round Head Machine Screw, Zinc	1
13	OF209	#6 External Tooth Lockwasher, SS	1
14	OF52	6-32 Hex Machine Screw Nut, Zinc	1
15	45037	G2F Insulated Strain Relief Clip	2



5003 AIR-FLO HEATING UNIT SPECIFICATIONS

Model No.	Description	Overall Size			Shipping Weight	
		W	L	H	Lbs.	(kg)
5003S	Air Flo Heating Unit	2 1/4 (5.7)	24 (61)	1 1/2 (3.8)	2	(.9)