

INSTRUCTIONS AND REPAIR PARTS LIST

CD100 CAGE DRINKER TROUGH ASSEMBLY AND BOTTLE

READ ALL DIRECTIONS CAREFULLY BEFORE BEGINNING INSTALLATION

Ref. No. Quantity	Part No.	Description	
1	CD110	Trough & Bottle Holder	1
2	CD111	Male Bushing	1
3	CD112	Female Bushing	1
4	CD113	Small Bird Restrictor	1
5	CD120	Bottle, 3 Liter, Poly	1
6	OF501	#6 x 3/4 Ph Pan Hd "F" Thread Cutting Screw	3
7	OP263	O-Ring	1
8	OF294	8-32 Hex Nut, Z	2
9	OF504	8-32 x 1 5/8 Hook Bolt	1
10	OF207	#8 External Tooth Lockwasher	2
11	CD121	Retaining Strap (not shown)	1
12	OF431	10-24 X 1/2 Slotted Truss Head Screw (not shown)	1
13	OF415	10-24 Nylon Locknut, SS (not shown)	1

ASSEMBLY INSTRUCTION

- STEP 1:** See Exhibit A. Drill or cut a 2 inch hole in the side of your brooder or cage in the location where you want the drinker trough located. The drinker is assembled through the 2 inch hole. Attach the male and female bushings (Ref. Nos. 2 and 3) of the drinker as shown, with the male bushing on the inside. Note that the bushings are cantilevered. Rotate them until the bottle holder and trough (Ref. No. 1) is as horizontal with the floor as you can get it. By making the bottle holder and trough level, chances of water seepage are reduced. Attach the 2 bushings to each other using 3-#6 x 3/4 thread cutting screws (Ref. No. 6). Tighten the bushings with the sidewall of the cage or brooder sandwiched between the 2 bushings.
- STEP 2:** See Exhibit B. Install hook bolt (Ref. No. 9) and 2 nuts and washers (Ref. Nos. 8 and 10) to brooder or cage on one side of water bottle. Secure retaining strap to the other side of water bottle using Ref. No. 12 bolt, and Ref. No. 12 locknut. Stretch retaining strap around water bottle and attach to hook bolt.
- STEP 3:** Included is a small bird restrictor insert and an O-Ring (Ref. Nos. 4 and 7). The restrictor is designed to be placed in the trough and retained with the O-Ring. See Exhibit C. Use where birds are tiny enough that there is concern that the birds will attempt to drown.

EXHIBIT A

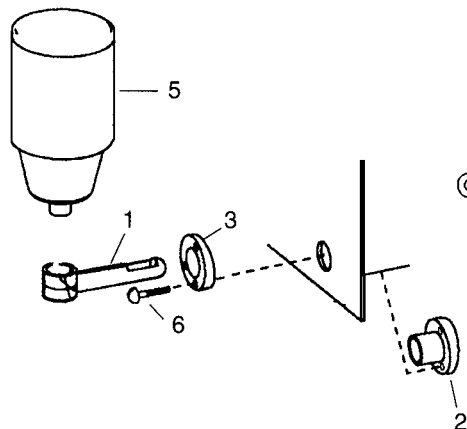


EXHIBIT B

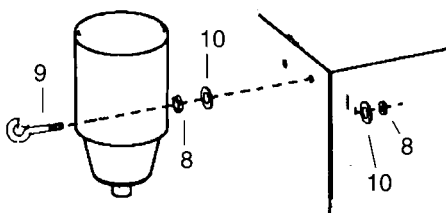
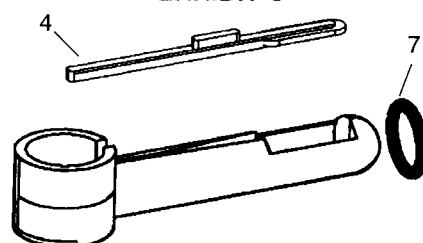


EXHIBIT C



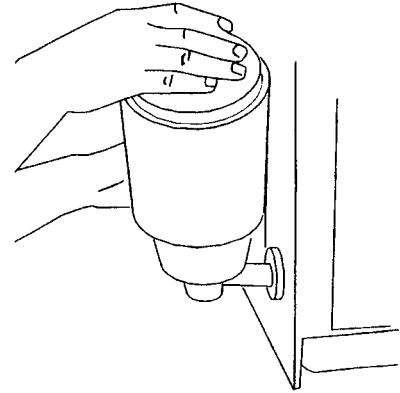
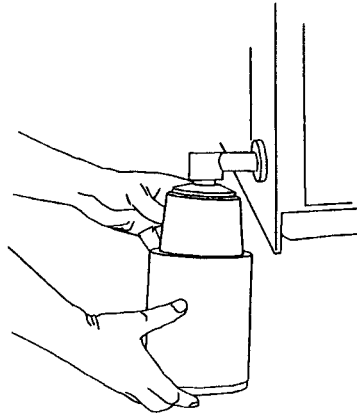
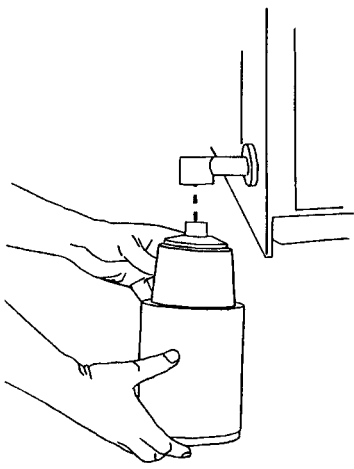


EXHIBIT D

Concerning use of the drinker, the bottle holder and trough is inserted through the bushings and is inverted. The water bottle is filled. Place the neck of the bottle in the trough and rotate bottle into position. See Exhibit D. Secure bottle by hooking retaining strap around top of bottle.

MODEL NUMBER

The MODEL NUMBER is: CD100 Cage Drinker Trough Assembly and Bottle.

WHEN ORDERING PARTS

- (1) Show MODEL NUMBER and NAME
- (2) Show PART NUMBER and FULL DESCRIPTION of part: Example - OP263 O-ring

HOW TO ORDER PARTS

Repair parts may be ordered from your dealer.