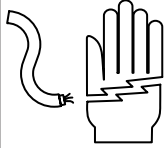


INSTRUCTIONS AND REPAIR PARTS LIST

THI30 EGG INCUBATOR

⚠ CAUTION ⚠



On all equipment used in incubation and brooding, be sure power cord assemblies are not connected when installing, cleaning or making repairs. Be sure any outlet used for power cord connection is actually grounded. For any electrical repairs the incubator base should be returned to Brower or repaired by a qualified electrician. Frayed or worn power cords should be replaced immediately.

- BROWER INCUBATORS must be plugged into a ground fault circuit interrupter (GFI) protected outlet.
- BROWER INCUBATORS must NOT be connected to an outlet with extension cords.
- BROWER INCUBATORS controls or any electrical components must NOT be subjected to water. Do NOT spray water into the tower of the incubator.
- BROWER INCUBATORS must be repaired using only Brower supplied repair parts
- BROWER INCUBATORS are designed for 120 Volts, 60 Hz.

Failure to follow these safety precautions could result in an electrical shock causing serious injury or death.

Do NOT surround you incubator-underneath, on the sides, on the top-with materials such as blankets, towels, rags, newspaper or the like. Do NOT place any materials inside the incubator such as newspaper, paper towels and so forth (anywhere-above the floor or below the floor).

Following hatching, your incubator should be cleaned and dried as soon as possible. Do not allow a high concentration of moisture to remain in the incubator. With Brower's Top Hatch Incubator, Models THI30, the tray is separate from any electrical parts. The tray is dishwasher safe (on low heat) and can be cleaned using other techniques described herein. Allow all these parts to dry before you place the lid on the tray and store these parts until the next usage.

Brower assumes no liability for failed hatches or problems which develop after hatching.

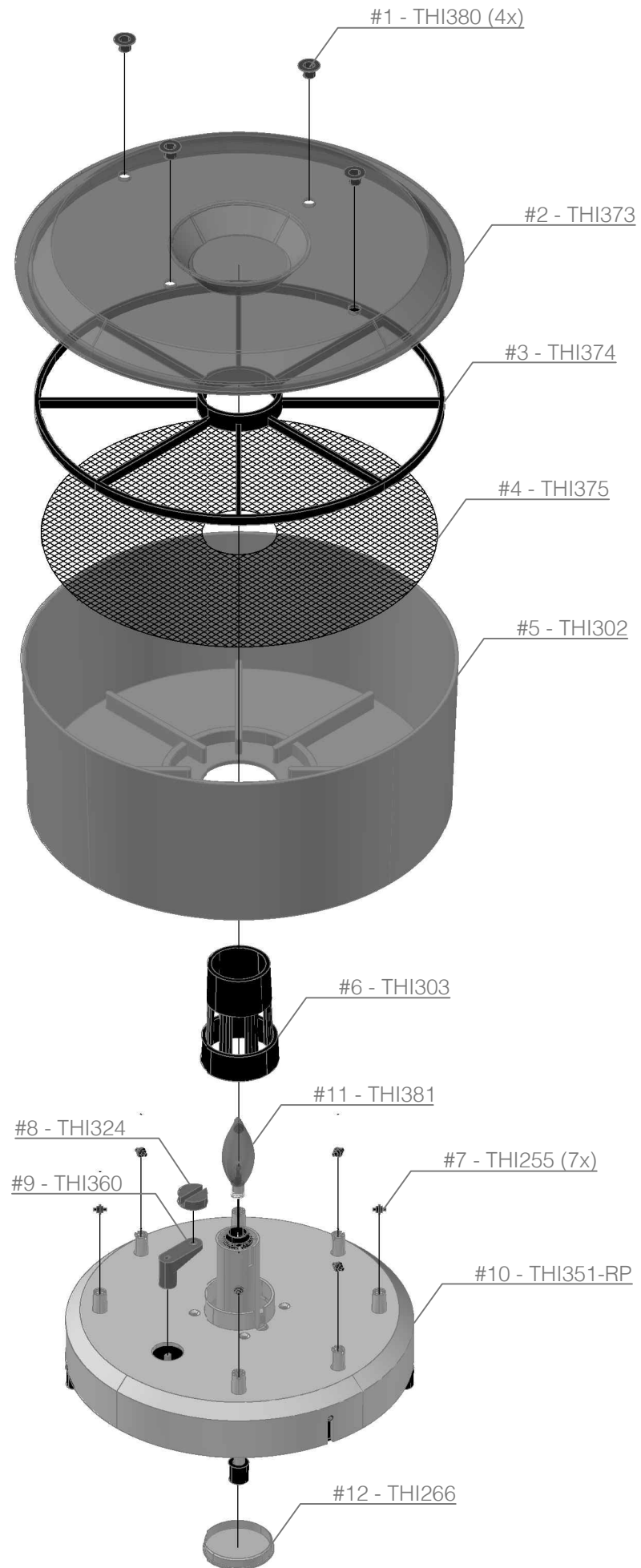
When it comes to species other than birds--snakes, turtles and the like--please consult an expert in these areas. We do not represent that our equipment can be used with any species other than birds.

THI30 Parts List

Ref. No.	Part No.	Description	Qty.	Repair
1	THI380	Caplug, W5, 1/2"	4	*
2	THI373	Cover, THI30 Incubator	1	*
3	THI374	Turn Rack, THI30 Incubator	1	*
4	THI375	PVC Coated Wire Floor, 16"	1	*
5	THI302	Tray, THI30 Incubator	1	*
6	THI303	Tower, THI30 Incubator	1	*
7	THI255-7	3/8" Wheel, Nylon	7	*
8	THI324	Crank Roller, THI30 Incubator	1	*
9	THI360	Crank, THI30 Incubator	1	*
10	THI351-RP	Base, THI30 Incubator	1	*
11	THI381	Bulb, 60W, Candelabra Base, 110/60	1	*
12	THI266	Housing Cap	1	*
13	THI79	Thermometer	1	*
14	THI385	Base Cover Plate (Not Shown)	1	*
15	THI386	3 AMP Fuse (Not Shown)	2	*
16	ISBIG	Guide to Successful Incubation (Not Shown)	1	*

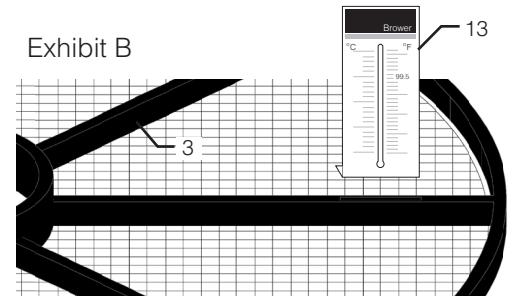
Parts available for repair have an asterisk (*) in the repair column.





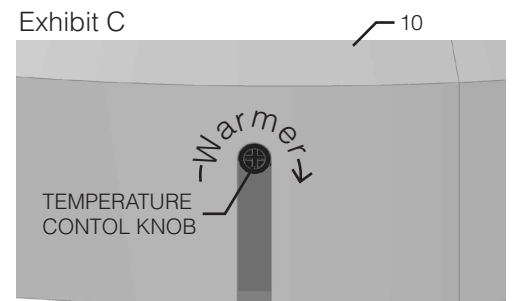
Setting up your THI30 Incubator

- STEP 1.** Remove contents from carton.
- STEP 2.** Add Light Bulb (Ref. No. 11) to Base (Ref. No. 10).
- STEP 3.** Add the 7 – 3/8" Wheels (Ref. No. 7) to the cavity in the top of each post on the Base (Ref. No. 10)
- STEP 4.** Place Tower (Ref. No. 6) onto the Base (Ref. No. 10). **MAKE SURE THE BULB IS CENTERED AND NOT TOUCHING THE TOWER.**
- STEP 5.** Place Tray (Ref. No. 5) on Base (Ref. No. 10). Make sure lug on the bottom of the base fits into slot in Crank Roller (Ref. No. 8).
- STEP 6.** Add the Floor (Ref. No. 4) to the tray.
- STEP 7.** Add Turn Rack (Ref. No. 3) to tower. It can be oriented either way. For most species, have the spokes touch the floor. For large eggs, invert the rack so the spokes are in the higher position.
- STEP 8.** Install Thermometer (Ref. No. 13). Note at the bottom of the thermometer, the card has a score mark. Fold the bottom part of the card back at the score mark. Insert the thermometer into the slot of one of the spokes of the Turning Rack (Ref. No. 3). There is one slot on each side of the rack. See Exhibit B.
- STEP 9.** Place cover (Ref. No. 2) onto tray. The cover is marked as to which side is up.
- STEP 10.** Plug in incubator.



Operating your THI30 Incubator

- STEP 1.** Adjust temperature to 99.5 degrees Fahrenheit (or 37.5 degrees Celsius). Clockwise rotation increases the temperature and counter clockwise rotation decreases the temperature. Turning the temperature control knob to the right (clockwise) one complete turn will change the temperature about 1.5°F. See Exhibit C. Always start your incubator 3 - 5 days in advance of setting eggs to make sure the temperature is stabilized and the machine is running correctly. It may take several turns to get the temperature where it needs to be. **NOTE:** When the incubator reaches the temperature at which it is set, the light bulb will **TURN OFF COMPLETELY FOR A FEW SECONDS OR IT MAY DIM OR IT MAY FLASH. THE LIGHT BULB WILL CONTINUE TO DO THIS PERIODICALLY. THIS IS NORMAL.**
- STEP 2.** When you are satisfied with temperature, add about 1 cup of very warm water to tray (Ref. No. 5). Pour water into the groove around the perimeter of the tray and about halfway under the eggs. **DO NOT FILL WITH SO MUCH WATER THAT WATER FLOWS INTO THE CENTER TOWER OR CONTROLS.** Check and fill water twice a week or as needed. **NEVER LET THE WATER RESERVOIR IN THE TRAY RUN OUT.** After the temperature has stabilized (following the addition of water), if you are going to use a hygrometer to check humidity, now is the time to do it. Make sure there is plenty of moisture in the tray during the last 3 days of incubation. You can add water under the eggs as well as to the groove around the perimeter of the tray.
- STEP 3.** Add eggs filling one pie section on the turn rack at a time completely. You can incubate 1 pie section or all 8 depending on how many eggs you have. Each pie section must be full for the turner to work properly. If you have say 3 eggs or so to incubate, remove the turner rack and turn them by hand.
NOTE: The tray turns very slowly (making one full revolution every two hours). **YOU CANNOT REALLY SEE IT TURN.** If you have doubts your tray is turning, mark the tray with a piece of tape. Mark your base with a piece of tape at the same position. The two tapes should move away from each other if your tray is turning.
NOTE: When you add eggs, the temperature shown on the thermometer may drop several degrees. It may take 1-2 hours before the temperature stabilizes back up to 99.5 degrees F. Do not adjust your temperature until eggs are warm and the air has stabilized and then only adjust in very small increments. **IF** you think the temperature needs to be adjusted.
- STEP 4.** Note the incubation periods for different birds shown on page 4.
- STEP 5.** Maintain temperature at 99.5 degrees Fahrenheit (37.5 degrees Celsius) during entire incubation.
NOTE: We have designed our incubator to maintain temperature as consistently as possible with this technology. Our tower design and fan do a great job of maintaining a constant temperature. This does not mean that your temperature will hold consistently and perfectly at 99.5 °F. You may see some fluctuation but this should not affect the hatch.
- STEP 6.** Stop turning about 3 days before expected hatch. Do this by slightly and gently lifting tray and rotating tray so that the motor crank and roller cannot touch the lug on the bottom of the tray.
- STEP 7.** After the hatch is completed, open all unhatched eggs to see if there are full term chicks inside the egg that did not emerge. If there are quite a few, add more moisture during your next hatch. Try adding water up under the eggs. If you get condensation on the cover, remove the plug(s) in the cover or remove some water.
- STEP 8.** You do not need to sanitize your incubator the first time you use it. However, on all subsequent hatches, sanitize your incubator. See page 2 of our "Guide For Successful Incubation and Brooding". Following hatch, remove the housing cap (Ref. No. 12), clean out any debris. Replace cap.
- STEP 9.** For further detailed information, refer to our "Guide For Successful Incubation and Brooding" provided with this incubator.



Note: Control will click when knob has been turned to max. or min. Turn knob opposite direction until there is no clicking and adjust from there. Do NOT crank hard on the adjusting knob.

EXPECTED INCUBATION AND HATCHING TIME - DAYS

Chicken and Bantam	21	Pigeon	17
Bobwhite Quail	23-24	Goose	28-34
Button Quail	16	Duck	28
Cortunix Quail	17-18	Muscovy Duck	35-37
Valley Quail	21-22	Guinea	28
Ring Neck Pheasant	23-24	Parakeet	18
Mongolian Pheasant	24-25	Parrots	28
Chukar Partridge	23-24	Dove	14
Turkey	28	Mynah	14
Peafowl	28-30	Finch	14
Grouse	25		

LIMITED WARRANTY

From the date of purchase, all components of our Model TH130 incubator are covered by a one year limited warranty for defects in material and workmanship under normal use and service. Warranty is limited to the replacement of components. This limited warranty is void if the product is sold to the end user more than 2 years after Brower sold the product to the first owner, distributor and/or retailer. This warranty is expressly in lieu of all other warranties express or implied including the warranties of merchantability and fitness and all other obligations or liabilities on the part of Brower. Brower does not assume nor authorize any other person or entity to assume for Brower any other liability in connection with the sale of our products. Brower does not assume any liability for any component which has been subject to accident, negligence, alteration, abuse or misuse. The CAUTION statements on page 1 of this instruction manual, concerning electrical repairs and the like, are an integral part of this limited warranty statement. Due to the numerous factors affecting the hatching of eggs, Brower makes no representations about the number of eggs that will be hatched using our incubators. Brower assumes no liability for the failure of eggs to hatch. Brower incubators are recommended for general poultry hobbyists. Brower incubators are not intended for professional or commercial use or for the incubation of exotic and/or expensive eggs. Brower is not responsible if our products do not comply with local product codes or codes outside of the USA.

WHEN ORDERING PARTS

- (1) Show NAME and MODEL NUMBER: Example - TH130 Incubator
- (2) Show PART NUMBER and FULL DESCRIPTION of part: Example - TH1351-RP Base

HOW TO ORDER PARTS

Repair parts may be ordered from your dealer.