

INSTRUCTIONS AND REPAIR PARTS LIST

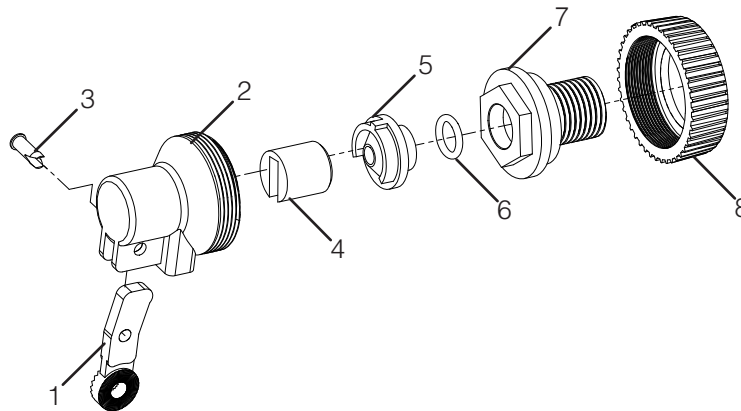
VP2
Valve Series

READ ALL DIRECTIONS CAREFULLY BEFORE BEGINNING INSTALLATION

Tools Required: Teflon Tape, 1" Socket or Box End Wrench

VP2 PARTS LIST

Ref No	Item Number	Description	VP221	VP223	VP224	VP226	VP227	VP2-1/8RP	VP2-1/4RP
1	VP29	Valve Arm, Poly	•	•	•	•	•	•	•
2	VP21	Valve Body, Poly	•	•	•	•	•	•	•
3	VM106	Lock Pin, Poly	•	•	•	•	•	•	•
4	VP28	Plunger, Poly/Rubber	•	•	•	•	•	•	•
5	VP24	1/8" Diameter Orifice, Poly		•		•	•	•	
5	VP26	1/4" Diameter Orifice, Poly	•		•				•
6	VP112	5/8" O-Ring x .103, Rubber	•	•	•	•	•	•	•
7	VP117	3/4" NPT Base, Brass	•						
7	VP118	1/2" NPT Base, Brass				•			
7	VP13	3/4" NPT Base, Poly		•	•				
7	VP14	1/2" NPT Base, Poly					•		
8	VP15	Assembly Nut, Poly	•	•	•	•	•		



MODEL NUMBERS

The MODEL NUMBERS are: VP221, VP223, VP224, VP227, VP2-1/8RP, VP2-1/4RP

WHEN ORDERING PARTS

- (1) Show MODEL NUMBER and NAME: Example - VP221 Float Valve, 1/4" Orifice
- (2) Show PART NUMBER and FULL DESCRIPTION of part: Example - VP21 Valve Body, Poly

HOW TO ORDER PARTS

Repair parts may be ordered from your dealer.



PO BOX 2000 • HOUGHTON, IOWA 52631 • USA
 PHONE: 319-469-4141 FAX: 319-469-4402
 www.hawkeysteel.com E-MAIL: sales@hawkeysteel.com



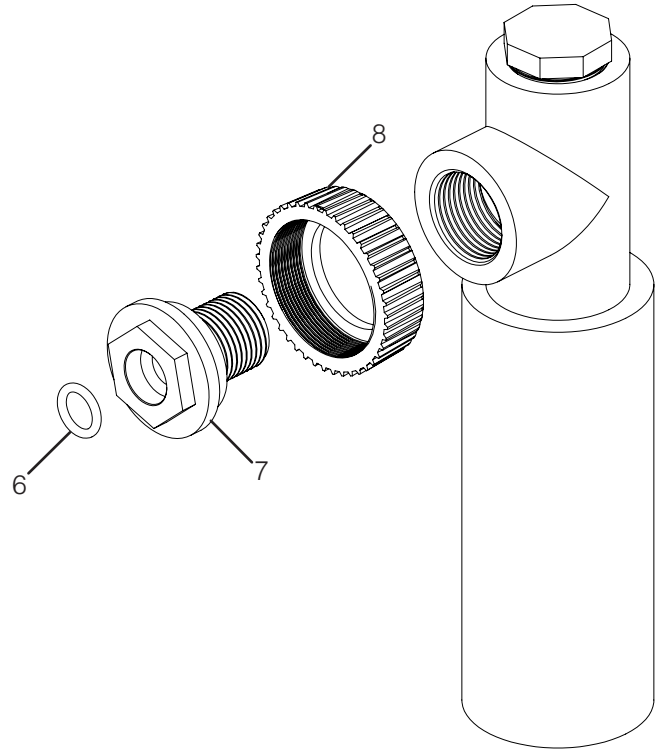
ISHVP2
 REV. 3.0
 PRINTED IN U.S.A.

VP2 Maximum Shut-Off Pressure (PSI) in Relation to Orifice Size and Float Arm Length

	VP24 - 1/8" Orifice	VP26 - 1/4" Orifice
VA225P - 1-1/8" Arm	100 PSI	40 PSI
WC725P - 2-1/2" Arm	120 PSI	65 PSI
WC726P - 3-5/8" Arm	130 PSI	85 PSI

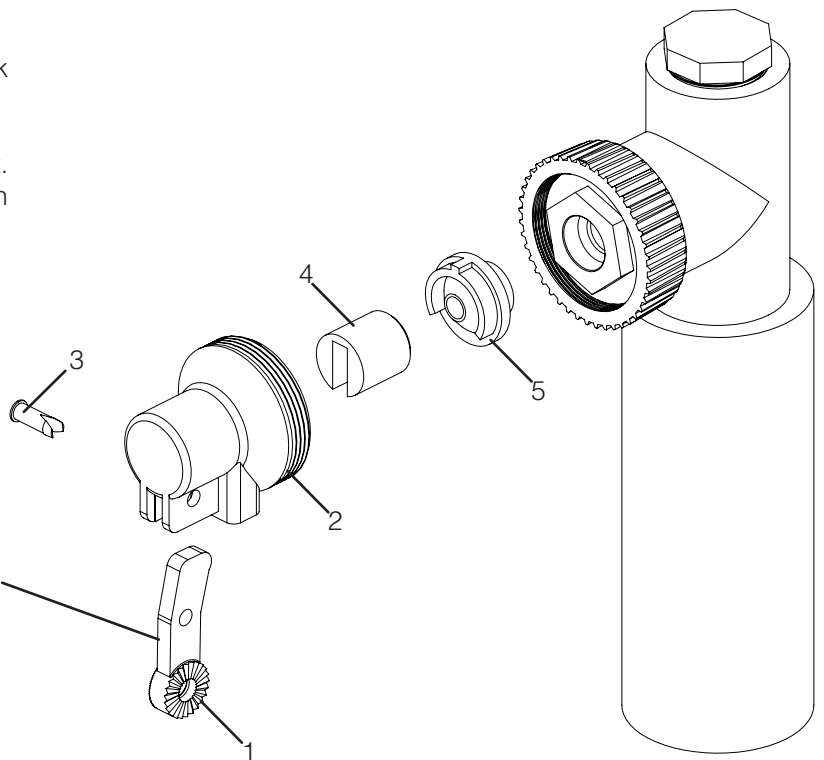
STEP 1

- Flush lines thoroughly to remove all foreign material.
- Do not subject valve to excessive tool pressures at any time.
- Hold inlet pipe securely while connecting to water supply line.
- Use Teflon tape or pipe seal on Base threads.
- Install Base, Assembly Nut and O-Ring first. Hand tighten Base plus one turn with 1" socket or box end wrench.



STEP 2

- First install Valve Arm in Valve Body using Lock Pin.
- Insert Plunger and Orifice in Valve Body.
- Thread Front Assembly onto Assembly Nut. Hand tighten only. Do not use Teflon tape on Valve Body.



ATTENTION: DO NOT PUT PRESSURE ON VALVE ARM WHILE TIGHTENING FRONT VALVE ASSEMBLY.